

GT Series



Application

A non-metallic bow spring centralizer for applications such as soil nails, rock bolts, anchors, sheathing, small diameter drop pipe, down hole cameras, geophysical tools and other data collection devices. Adjustable diameters to fit 18mm OD (0.70") up to 65mm OD (2.56") and four models to suit numerous ID-OD combinations.

Construction & Features

- Made from Kwik-ZIP's modified Acetal (POM) engineering thermoplastic blend with high flexural strength, high temperature resistance, low co-efficient of friction, abrasion resistance and outstanding chemical resistance.
- Curved and wide bow profile for easy insertion.
- Simple integrated cable tie method of assembly. No special tool required for installation.
- The flexible bows can deflect under force to pass minor obstructions in the borehole.
- Larger diameters are accommodated by joining additional segments.

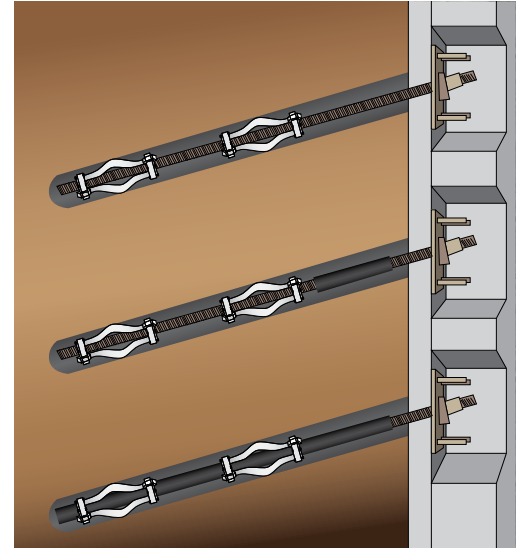


Models

Model	Runner (Bow) Height	Part #	Operating Temp (Deg C / F)	Recommended for use on Pipe/Nail Diameter	Units per carton	Carton Dimensions (L x W x H)	Gross Carton Weight
GT 10-1	10mm / 0.39"	00987	- 20 C to 80 C - 4 F to 176 F in certain applications (temperatures above 50 C / 112 F may require closer intervals)	18mm OD- 65mm OD 0.70" OD- 2.56" OD	100	265mm x 140mm x 210mm 10.43" x 5.51" x 8.27"	1.45 Kg / 3.19 lbs
GT 20-1	20mm / 0.78"	00989			100	288mm x 184mm x 178mm 11.34" x 7.25" x 7"	1.67 Kg / 3.67 lbs
GT 30-1	30mm / 1.18"	00988			100	339mm x 184mm x 218mm 13.35" x 7.25" x 8.58"	2 Kg / 4.4 lbs
GT 40-1	40mm / 1.57"	00990			100	358mm x 184mm x 260mm 14.10" x 7.25" x 10.24"	2.69 Kg / 5.92 lbs

Compliance

- Manufactured under a certified ISO 9001 Quality Management System.
- Compliant with AS/NZS 4020:2005 Products for use in contact with drinking water.
- Compliant with lead free requirements of Section 1417 of the US Safe Water Drinking Act.



Sizing Table - GT Series

Bar / Pipe Dia mm (Inches)	Units per Centralizer
18mm - 29mm (0.70 inch - 1.14 inch)	2
29mm - 46mm (1.14 inch - 1.81 inch)	3
46mm - 65mm (1.81 inch - 2.56 inch)	4
Over 65mm (Over 2.56 inch)	Use 155 HT Series